

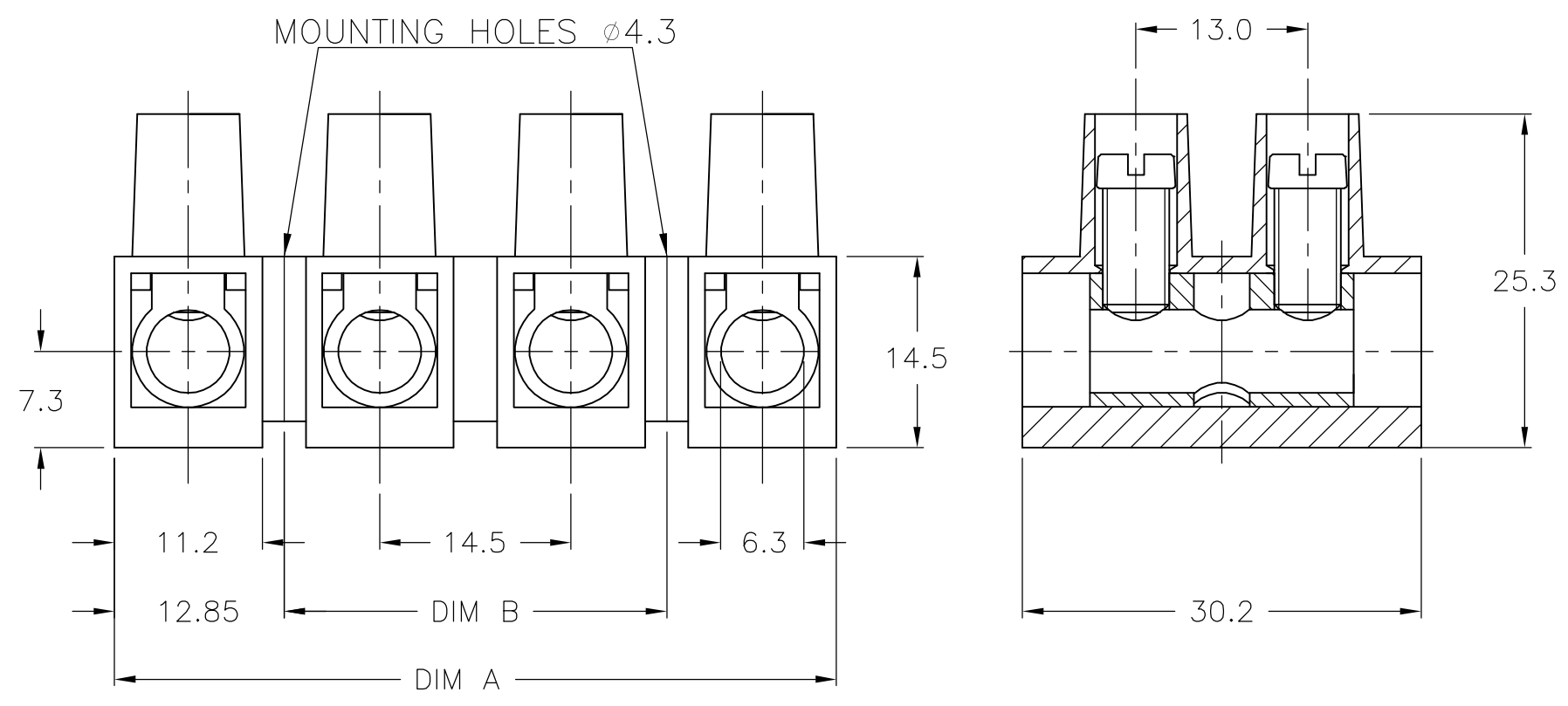
THIS DRAWING IS UNPUBLISHED. RELEASED FOR PUBLICATION
 © COPYRIGHT BY TYCO ELECTRONICS CORPORATION. ALL RIGHTS RESERVED.

LOC	DIST	REVISIONS					
FT	0	P	LTR	DESCRIPTION	DATE	DWN	APVD
			01	REVISED PER ECO-06-26065	11/8/06	SS	CR

MATERIAL:
 HOUSING: POLYAMIDE 6, UL94V-2.
 COLOR: OFF WHITE.
 CONTACT: BRASS, TIN PLATED.
 WIRE PROTECTOR: STAINLESS STEEL.
 SCREW: M5, STEEL, W/ ZINC PLATED NON-HEXAVALENT CHROMATE (CHROME III).

ELECTRICAL:
 MAX CURRENT: 65A (UR) 70A (CSA)
 OPERATING VOLTAGE: 300V.
 WIRE RANGE: 6-14 AWG (UR) 6-22 AWG (CSA)
 DIELECTRIC WITHSTAND: 6000V.

ENVIRONMENT:
 CONTINUOUS WORKING TEMP.: -35°C TO 100°C.



145	170.7	12	TSB200012	1-1776312-2
130.5	156.2	11	TSB200011	1-1776312-1
116	141.7	10	TSB200010	1-1776312-0
101.5	127.2	9	TSB200009	1776312-9
87	112.7	8	TSB200008	1776312-8
72.5	98.2	7	TSB200007	1776312-7
58	83.7	6	TSB200006	1776312-6
43.5	69.2	5	TSB200005	1776312-5
29	54.7	4	TSB200004	1776312-4
14.5	40.2	3	TSB200003	1776312-3
-	25.7	2	TSB200002	1776312-2
-	11.2	1	TSB200001	1776312-1
DIM B	DIM A	NO OF POS	CATALOG NUMBER	PART NUMBER

THIS DRAWING IS A CONTROLLED DOCUMENT.		DWN	S SCHLEGEL	3/22/05	Tyco Electronics Corporation Harrisburg, Pa 17105-3608			
DIMENSIONS: mm		CHK	C RICHARD	3/22/05				
TOLERANCES UNLESS OTHERWISE SPECIFIED:		APVD	C RICHARD	3/22/05	NAME			
0 PLC ± - 1 PLC ± 0.3 2 PLC ± 0.25 3 PLC ± - 4 PLC ± - ANGLES ± 2°		PRODUCT SPEC			EUROPA TERMINAL BLOCK, 14.5MM PITCH			
MATERIAL		APPLICATION SPEC			SIZE	CAGE CODE	DRAWING NO	RESTRICTED TO
FINISH		WEIGHT			A3	00779	C-1776312	-
CUSTOMER DRAWING					SCALE	NTS	SHEET	1 OF 1
					REV 01			